



TPSS SERIES BOOSTER UNIT WITH STAINLESS STEEL VERTICAL PUMP

GENERAL QUALITIES

It has a vertical shaft and a multistage pump. These are high-capacity booster units whose surfaces touching water are made of stainless steel AISI 304 material. It is used where there is a constant demand for pressure and water, such as apartment blocks, schools, hospitals, factories, housing estates and business centers. These pumps do not require periodical maintenance. The pumps are delivered as mounted on steel or metal plate base. Besides, these types of booster units have panels with a self-testing ability. They can be used as fire fighting booster sets with the use of an extra solenoid valve. To start the package booster unit it is enough to couple the suction collector to the installation and attach the energy cable to the panel.

ACCESORIES DELIVERED WITH THE BOOSTER UNIT

- Suction collector
- Full bore brass valves
- Quiet-running rocket-type nonreturn valve
- Level floater with a 5 m cable that prevents running without water
- Control panels mounted on chassis, with well-equipped sequence exchanging quality, D.O.L. up to 5.5 kw, and $*/\Delta$ liftoff with 7,5 Kw and higher
- Vibration-preventing elastic wedges

OPERATING LIMITS

- Temperature range of the liquid: between -15 to +120°C
- Ambient operating temperature: 40°C
- Maximum working pressure: 25 BAR

QUALITIES

- Sequential functions operation according to water need
- Pump exchange after each operation
- Pausing of the pumps when suction is out of water
- Delaying during the activation of 2nd and 3rd pumps
- Delaying during the disengagement of 2nd and 3rd pumps
- Being able to read the voltage between phases through the screen on the microprocessor unit
- Being able to read the breakdowns through the microprocessor
- Displaying all operations on the control panel
- Besides, there is an additional manual switch on the side surface of the panel

PANELS USED IN THE TEKNOPOMP BOOSTER UNITS

Our new booster unit control panels respond the needs of all sorts of pump and operations thanks to microprocessor electronic cards.

THE MOTOR

Standard type B14, 2 pole, three-phase, 50 Hz electric motor (2900 revolutions per minute)
 Insulation Class: F
 Protection Class: IP 55

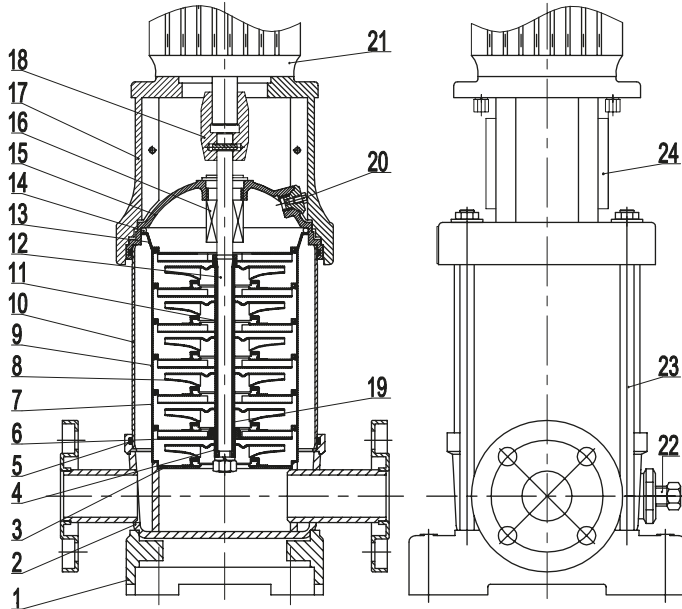
OPTIONAL QUALITIES

Energy saving and comfort through control panels with frequency converter.
 Depending on the need, AISI 304 material quality stainless steel equipments.

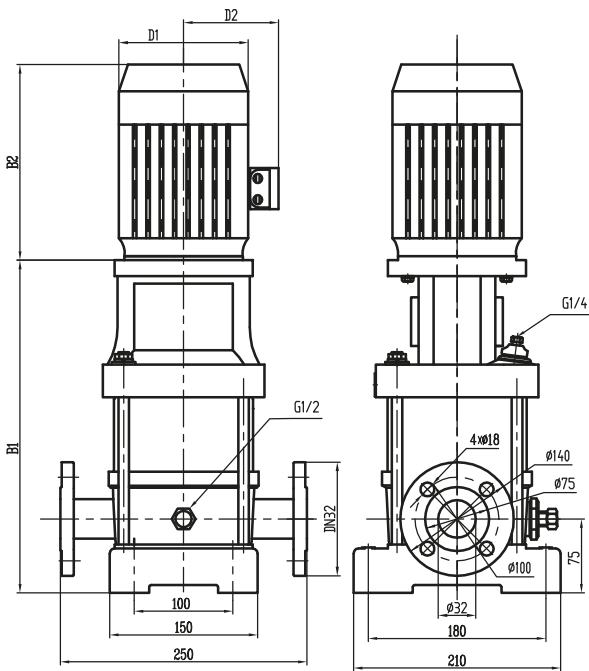




TPSS 4 SERIES SINGLE BOOSTER SET DIMENSIONS AND MATERIAL PROPERTIES



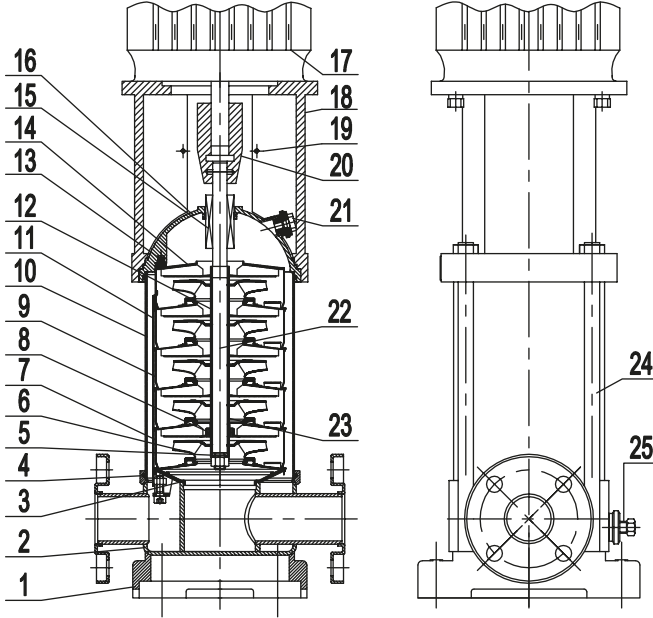
No.	Name	Material
1	Base plate	Cast iron
2	Pump base	AISI304
3	Inlet fluid director	AISI304
4	Lining	AISI304
5	O-ring	Fluorin rubber
6	Bearing	Hard alloy
7	Fluid director with bearing	AISI304
8	Impeller	AISI304
9	Fluid director	AISI304
10	Outer cylinder	AISI304
11	Round set	AISI304
12	Pump shaft	AISI304
13	Outlet fluid director	AISI304
14	Wave spring	AISI304
15	Ball-shaped lining	AISI304
16	Mechanical seal	Hard alloy/Fluorin rubber
17	Motor base	Cast iron
18	Coupling	Cast steel (powder metallurgy)
19	Plug	AISI304
20	Adjustable bolt	AISI304
21	Motor	Standard Vertical
22	Pressure adjustor	AISI304
23	Full-rod	Chormium45
24	Protection blade	AISI304



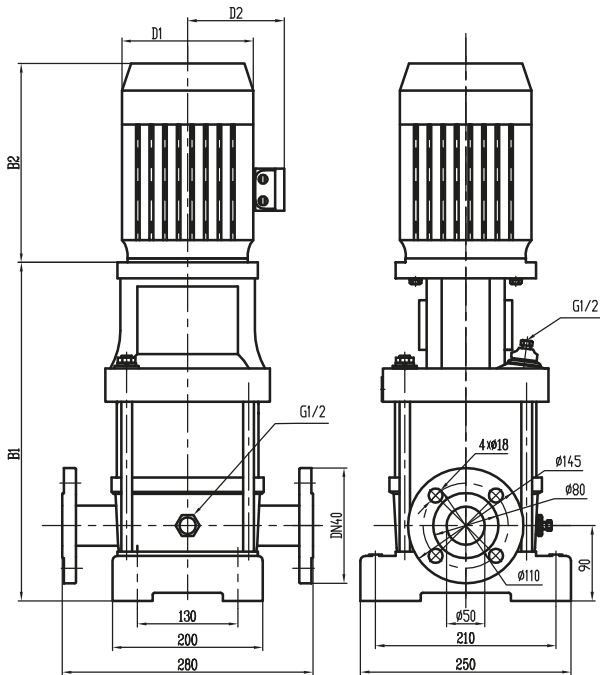
MODEL	B1	B2	B1+B2	D1	D2
TPSS 402	278	215	493	136	109
TPSS 403	305	215	520	136	109
TPSS 404	340	247	587	155	124
TPSS 405	367	247	614	155	124
TPSS 406	394	247	641	155	124
TPSS 407	434	260	694	175	137
TPSS 408	461	260	721	175	137
TPSS 410	515	285	800	175	137
TPSS 412	569	285	854	175	137
TPSS 414	632	323	955	195	151
TPSS 416	686	323	1009	195	151
TPSS 419	767	341	1108	219	169
TPSS 422	848	341	1189	219	169



TPSS 8 SERIES SINGLE BOOSTER SET DIMENSIONS AND MATERIAL PROPERTIES



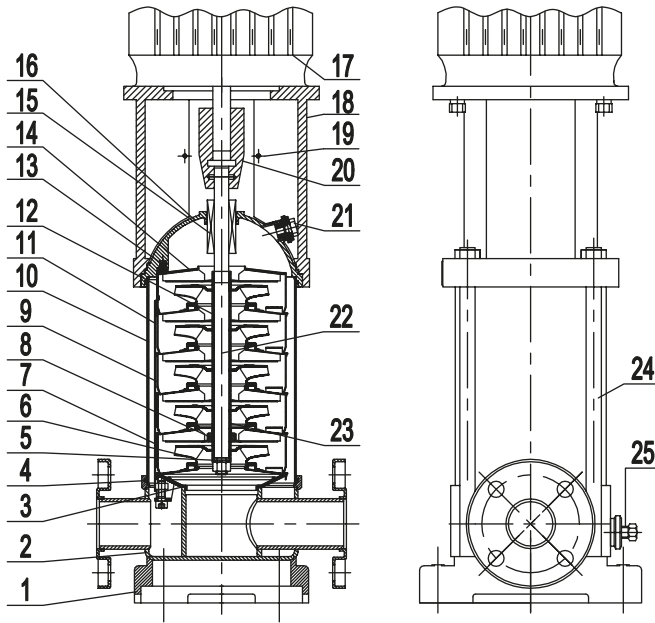
No.	Name	Material
1	Base	Cast iron
2	Pump base	AISI304
3	Inlet fluid director	AISI304
4	Lining	Viton
5	O-ring	AISI304
6	Impeller	AISI304
7	Fluid director with bearings	AISI304
8	Bearing	Hard alloy
9	Fluid director	AISI304
10	Outer cylinder	AISI304
11	Draw plate	AISI304
12	Round set	AISI304
13	Pressure tight screw	Viton
14	Outlet fluid director	AISI304
15	Mechanical seal	Hardalloy/Fluorinerubber
16	Ball-shaped lining	AISI304
17	Motor	Standard vertical
18	Motor base	Cast iron
19	Protection blade	AISI304
20	Coupling	Cast steel
21	Adjustable bolt	AISI304
22	Plug	AISI304
23	Pump spindle	AISI304
24	Draw bar	Chromium
25	Pressure adjustor	AISI304



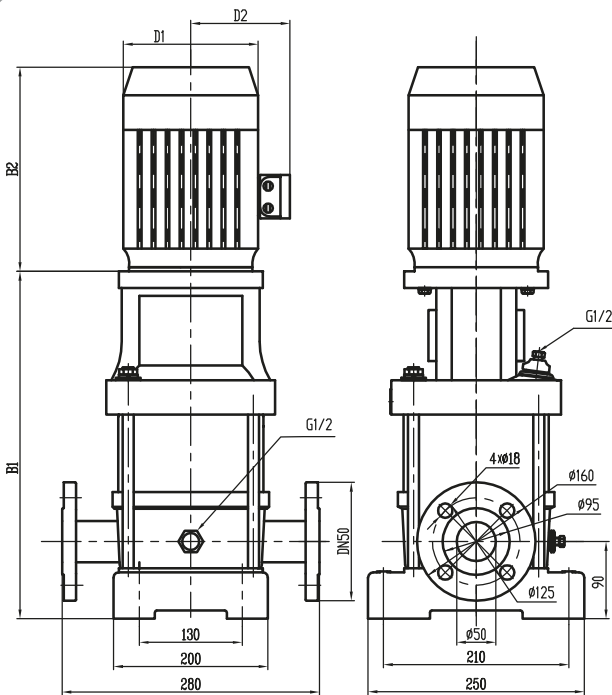
MODEL	B1	B2	B1+B2	D1	D2
TPSS 802	375	247	622	155	124
TPSS 803	405	247	652	155	124
TPSS 804	440	260	700	175	137
TPSS 805	470	285	755	175	137
TPSS 806	500	285	785	175	137
TPSS 808	570	323	893	195	151
TPSS 810	630	341	971	219	169
TPSS 811	660	341	1001	219	169
TPSS 812	690	341	1031	219	169
TPSS 814	774	395	1169	258	188
TPSS 816	834	395	1229	258	188
TPSS 818	894	395	1289	258	188
TPSS 820	954	395	1349	258	188



TPSS 16 SERIES SINGLE BOOSTER SET DIMENSIONS AND MATERIAL PROPERTIES



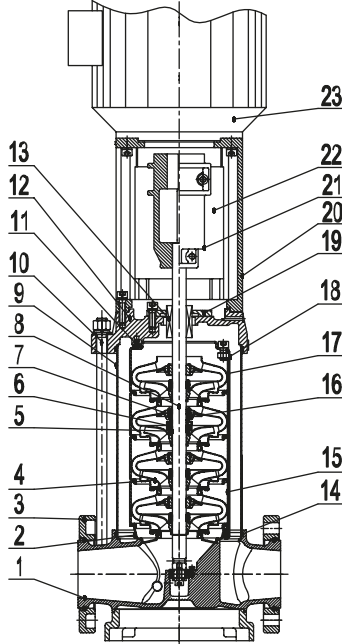
No.	Name	Material
1	Base	Cast iron
2	Pump base	AISI304
3	Inlet fluid director	AISI304
4	Lining	Viton
5	O-ring	AISI304
6	Impeller	AISI304
7	Fluid director with bearing	AISI304
8	Bearing	Hard alloy
9	Fluid director	AISI304
10	Outer cylinder	AISI304
11	Draw plate	AISI304
12	Round set	AISI304
13	Pressure tight screw	Viton
14	Outlet fluid director	AISI304
15	Mechanical seal	Hardaloy/Fluorine rubber
16	Ball-shaped lining	AISI304
17	Motor	Standard vertical
18	Motor base	Cast iron
19	Protection blade	AISI304
20	Coupling	Cast steel
21	Adjustable bolt	AISI304
22	Plug	AISI304
23	Pump spindle	AISI304
24	Draw bar	Chromium
25	Pressure adjustor	AISI304



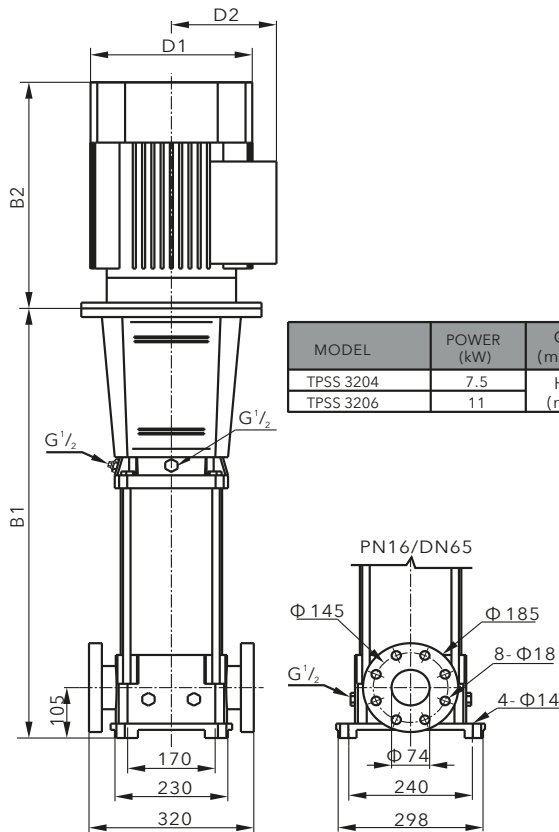
MODEL	B1	B2	B1+B2	D1	D2
TPSS 1602	410	285	695	175	137
TPSS 1603	465	323	788	195	151
TPSS 1604	510	341	851	219	169
TPSS 1605	581	395	976	258	188
TPSS 1606	626	395	1021	258	188
TPSS 1607	671	395	1066	258	188
TPSS 1608	716	395	1111	258	188
TPSS 1610	837	499	1336	315	242
TPSS 1612	927	499	1426	315	242
TPSS 1614	1017	499	1516	315	242
TPSS 1616	1107	499	1606	315	242



TPSS 32 SERIES SINGLE BOOSTER SET DIMENSIONS AND MATERIAL PROPERTIES



No.	Name	Material
1	Pump base	Cast iron/AISI304
2	Inlet fluid director	AISI304
3	Movable flange	Cast iron
4	Impeller	AISI304
5	Rip cone sleeve	AISI304
6	Nut of rip cone sleeve	AISI304
7	Impeller bearing	Hard alloy/AISI304
8	Pump spindle	AISI304
9	Outer cylinder	AISI304
10	Draw bar	C45
11	Pressure tight screw	AISI304
12	Pump head	Cast iron/AISI304
13	Mechanical seal	Hard alloy/Fluororubber
14	O sealing washer	Fluorine rubber
15	Fluid director	AISI304
16	Fluid director with bearing	AISI304
17	Outlet fluid director	AISI304
18	Draw plate	AISI304
19	Mechanical seal gland	AISI304
20	Motor base	Cast iron
21	Coupling	Ductile iron
22	Protection blade	AISI304
23	Motor	Standard vertical



MODEL	POWER (kW)	Q (m ³ /h)	16	20	24	28	32	36	40	B1	B2	B1+B2	D1	D2	WEIGHT (kg)
TPSS 3204	7.5	H	72	69	65	59	53	47	37	794	395	1189	258	163	97/101
TPSS 3206	11	(m)	108	104	97	90	81	72	57	964	498	1462	315	251	183/187