

FIRE FIGHTING SETS

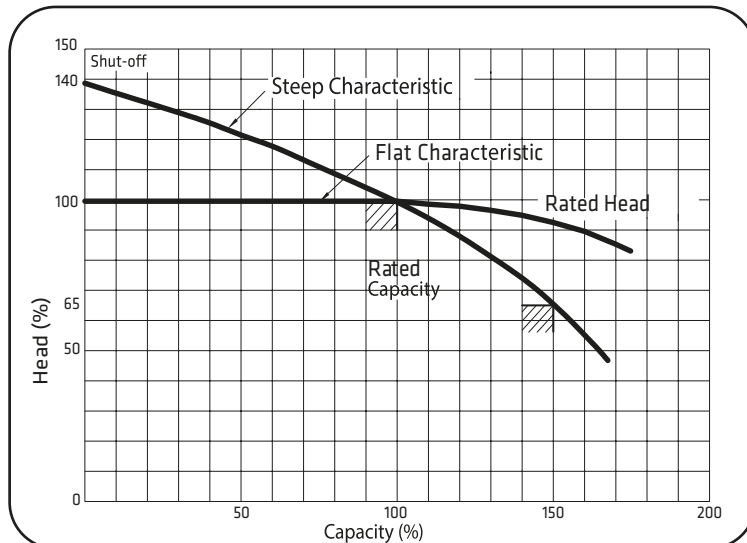
TEKNOPOMP designs and manufactures various types of pumps based on the needs of the industry. Aside from the pumps in our product portfolio, we also manufacture fire pump groups which are suitable for NFPA 20 and Turkish Fire Direction. Our pumps from various series are used as main fire pumps.

Pre-assembled motopump groups are delivered to our clients after being selected from the pumps with the most suitable flow and requested head.

TEKNOPOMP FIRE PUMPS SUITABLE FOR NFPA 20 AND TURKISH FIRE DIRECTIVE

- Centrifuge Pump with Horizontal Shaft
- Centrifuge Pump with Horizontal Shaft and Double Suction
- Multistage Pump with Horizontal Shaft
- Jockey Pumps

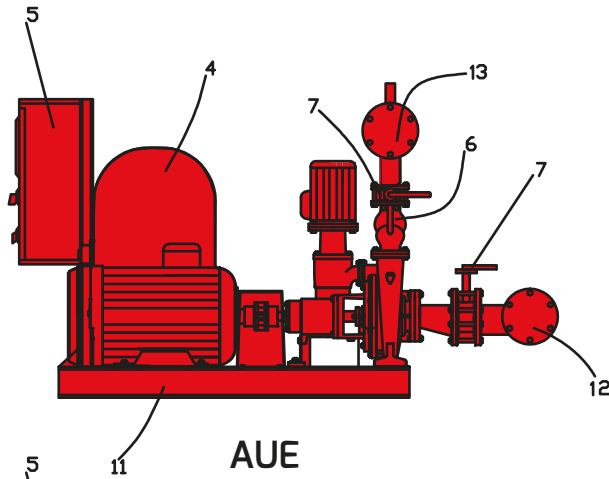
NFPA 20 (National Fire Protection Association) is a widely-known code that defines "fire pumps and installations" for fire protection and sets the standards for fire suppression systems. The pumps we use are suitable for NFPA 20 standards and are not listed.



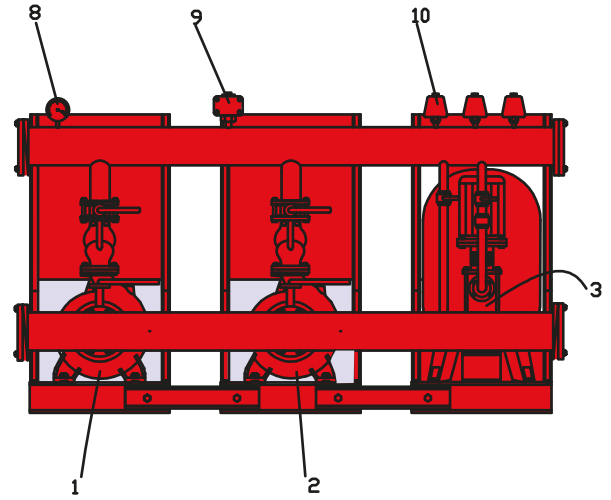
(Q)/ Head

[Hm] curve should be as flat as possible. That way, pressure will not be lost as the demand for water increases and the pressure required at the entry of the sprinkler will be constant. It will not be any less than 65% of [anma] value. Qmax value on the pump curve will not be any less than 150% of [anma] value. Hmax pressure value of the closed valve on the pump curve will not be any higher than 140% of the operating value.

FIRE FIGHTING PUMP CONTROL PANEL PROPERTIES



AUE



AUED

FIRE GROUP COMPONENTS

1- Main Pump	8- Manometer
2- Stand-Pump	9- Relief Valve
3- Jockey Pump	10- Pressure Switch
4- Balance	11- Chassis
5- Fire Group Panel	12- Suction Collector
6- Nonreturn Valve	13- Outlet Colector
7- Valve	

QUALITIES OF FIRE PANELS SUITABLE FOR NFPA 20

1. Metal red-colored panel (locked type)
2. Normally pressure contacts are on open circuit. Contacts are outside of closed circuit
3. Real time and date
4. Recollection of total pump operation hours
5. Ability to test in real time and date
6. Delayed stopping after pump is disengaged
7. Two-phase and phase direction protection
8. One size bigger contactor selection
9. 15% size bigger contactor selection
10. Operation in case of pressure need on automatic or manual
11. Stopping when stop button is tapped but continuing operation when in need of pressure
12. Solenoid valve output
13. Intervention after panel cap is opened to change running values
14. Inverter relay operating dry contact
15. Inverter relay breakdown output dry contact
16. Inverter relay energy presence dry contact output
17. Phase error, phase sequence error, pump is active, contactor is active, pressure input, automatic, manual LED-light indicator on the front screen
18. Running warning with light and siren in case of test and running
19. Energy main cut within the panel
20. Remote start (moved to electric terminal)
21. Control circuit, cable numbering

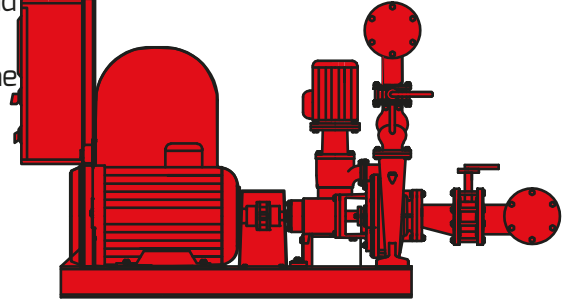
QUALITIES OF STANDARD FIRE PANEL

1. Two-line 16 bit LCD screen
2. Operation through pressure switch or pressure processor
3. Pressure switch activation and disengagement time setting
4. Phase-phase, phase-neutral indicator
5. Pump operation hours
6. Solenoid output
7. Automatic test
8. Real date and time
9. High and low voltage protection
10. Two-phase and phase direction protection
11. Voiced keypad and LED-lighted operation and breakdown indicator
12. English language option
13. Energy main cut
14. Schneider, ABB, Lovatoor equivalent switch material

AUE FIRE PUMP SYSTEMS

AUE Fire Pump Systems consist of 2 electric-engine pumps (horizontal shaft centrifuge - 1 main and 1 backup pumps) and jockey pump. Jockey pump is used to complete pressure leakage in the line. If the jockey pump could not complete the leakage, the main pump activates and provides the line pressure of the fire suppression system. AUE Fire Pump Systems are ready-to-work as a package with entry/exit valves, check valves, shared chassis, suction collectors, operating panels suitable for NFPA 20 and Turkish Fire Directive along with a weekly automated testing system.

2 Electrical Pump (TNP-SDS)
1 Jockey Pump (MNV-TP55)

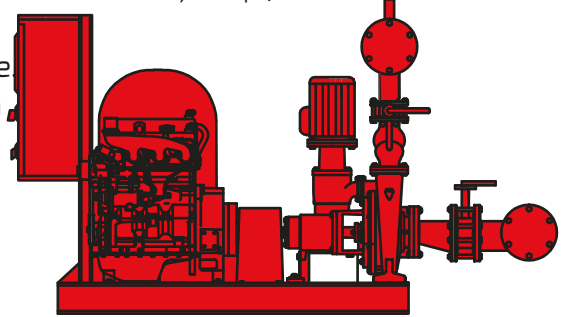


MODEL-PUMP	JOKEY PUMP	POWER (kW)			CAPACITY m ³ /h	HEAD Mss
		Main Pump	Backup Pump	Jockey Pump		
AUE 21 32-250	MNV 25-211	7,5	7,5	1,5	12-36	98-40
AUE 21 32-250	MNV 25-211	11	11	1,5		
AUE 21 32-250	MNV 25-212	15	15	1,5		
AUE 21 32-250	MNV 25-212	18,5	18,5	1,5		
AUE 21 40-250	MNV 32-608	15	15	3	25-60	105-40
AUE 21 40-250	MNV 32-608	18,5	18,5	3		
AUE 21 40-250	MNV 32-609	22	22	3		
AUE 21 40-250	MNV 32-609	30	30	3		
AUE 21 50-250	MNV 32-608	18,5	18,5	3	40-105	105-40
AUE 21 50-250	MNV 32-608	22	22	3		
AUE 21 50-250	MNV 32-608	30	30	3		
AUE 21 50-250	MNV 32-609	37	37	3		
AUE 21 50-250	MNV 32-609	45	45	3		
AUE 21 50-315	Danışınız!	37	37	3	40-105	140-40
AUE 21 50-315	Danışınız!	45	45	3		
AUE 21 50-315	Danışınız!	55	55	3		
AUE 21 65-250	MNV 32-608	30	30	3	70-175	102-60
AUE 21 65-250	MNV 32-608	37	37	3		
AUE 21 65-250	MNV 32-609	45	45	3		
AUE 21 65-250	MNV 32-609	55	55	3		
AUE 21 65-315	Danışınız!	55	55	5,5	70-200	145-80
AUE 21 65-315	Danışınız!	75	75	5,5		
AUE 21 65-315	Danışınız!	90	90	5,5		
AUE 21 80-250	MNV 32-608	45	45	5,5	100-300	105-70
AUE 21 80-250	MNV 32-608	55	55	5,5		
AUE 21 80-250	MNV 32-609	75	75	5,5		
AUE 21 80-250	MNV 32-609	90	90	5,5		
AUE 21 80-315	Danışınız!	75	75	5,5	100-300	155-60
AUE 21 80-315	Danışınız!	90	90	5,5		
AUE 21 80-315	Danışınız!	110	110	5,5		
AUE 21 80-315	Danışınız!	132	132	5,5		
AUE 21 100-250	MNV 40-1206	55	55	5,5	100-400	100-30
AUE 21 100-250	MNV 40-1206	75	75	5,5		
AUE 21 100-250	MNV 40-1206	90	90	5,5		
AUE 21 100-250	MNV 40-1206	110	110	5,5		
AUE 21 100-250	MNV 40-1206	132	132	5,5		
AUE 21 100-315	Danışınız!	90	90	5,5	100-430	150-45
AUE 21 100-315	Danışınız!	110	110	5,5		
AUE 21 100-315	Danışınız!	132	132	5,5		
AUE 21 100-315	Danışınız!	160	160	5,5		

AUED FIRE PUMP SYSTEMS

AUED Fire Pump Systems consist of 1 electric-engine fire pumps, 1 diesel motor (backup motor) and jockey pump. Jockey pump is used to complete pressure leakage in the line. If the jockey pump could not complete the leakage, the main pump activates and provides the line pressure of the fire suppression system. AUE Fire Pump Systems are ready-to-work as a package with entry/exit valves, check valves, shared chassis, suction collectors, operating panels suitable for NFPA 20 and Turkish Fire Directive along with a weekly automated testing system.

- 1 Electrical Pump (TNP-SDS)
- 1 Diesel Pump (TNP-SDS)
- 1 Jockey Pump (MNV-TP55)



MODEL-PUMP	JOKEY PUMP	POWER (kW)			CAPACITY m³/h	HEAD Mss
		Main Pump	Backup Pump	Jockey Pump		
AUED 21 32-250	MNV 25-211	7,5	8,8	1,5	12-36	98-40
AUED 21 32-250	MNV 25-211	11	13	1,5		
AUED 21 32-250	MNV 25-212	15	20,5	1,5		
AUED 21 32-250	MNV 25-212	18,5	24	1,5		
AUED 21 40-250	MNV 32-608	15	20,5	3	25-60	105-40
AUED 21 40-250	MNV 32-608	18,5	24	3		
AUED 21 40-250	MNV 32-609	22	29	3		
AUED 21 40-250	MNV 32-609	30	36	3		
AUED 21 50-250	MNV 32-608	18,5	24	3	40-105	105-40
AUED 21 50-250	MNV 32-608	22	29	3		
AUED 21 50-250	MNV 32-608	30	39	3		
AUED 21 50-250	MNV 32-609	37	42	3		
AUED 21 50-250	MNV 32-609	45	42	3		
AUED 21 50-315	Danışınız!	37	42	3	40-105	140-40
AUED 21 50-315	Danışınız!	45	66	3		
AUED 21 50-315	Danışınız!	55	66	3		
AUED 21 65-250	MNV 32-608	30	36	3	70-175	102-60
AUED 21 65-250	MNV 32-608	37	42	3		
AUED 21 65-250	MNV 32-609	45	66	3		
AUED 21 65-250	MNV 32-609	55	66	3		
AUED 21 65-315	Danışınız!	55	66	5,5	70-200	145-80
AUED 21 65-315	Danışınız!	75	75	5,5		
AUED 21 65-315	Danışınız!	90	90	5,5		
AUED 21 80-250	MNV 32-608	45	66	5,5	100-300	105-70
AUED 21 80-250	MNV 32-608	55	66	5,5		
AUED 21 80-250	MNV 32-609	75	75	5,5		
AUED 21 80-250	MNV 32-609	90	90	5,5		
AUED 21 80-315	Danışınız!	75	75	5,5	100-300	155-60
AUED 21 80-315	Danışınız!	90	90	5,5		
AUED 21 80-315	Danışınız!	110	125	5,5		
AUED 21 80-315	Danışınız!	132	150	5,5		
AUED 21 100-250	MNV 40-1206	55	66	5,5	100-400	100-30
AUED 21 100-250	MNV 40-1206	75	75	5,5		
AUED 21 100-250	MNV 40-1206	90	100	5,5		
AUED 21 100-250	MNV 40-1206	110	125	5,5		
AUED 21 100-250	MNV 40-1206	132	150	5,5		
AUED 21 100-315	Danışınız!	90	100	5,5	100-430	150-45
AUED 21 100-315	Danışınız!	110	125	5,5		
AUED 21 100-315	Danışınız!	132	150	5,5		
AUED 21 100-315	Danışınız!	160	170	5,5		

PUMP PERFORMANCE FIELD

